

First / Second Semester B.E. Degree Examination, May / June 2012

COMPUTER AIDED ENGINEERING DRAWING

Time: 3 Hours (COMMON TO ALL BRANCHES) Max. Marks: 100

- Note: 1. Answer three full questions 2. Use A4 sheets supplied
3. Draw to actual scale 4. Missing data, if any, may be suitably assumed

- Q1. i) A point P is 15mm above HP and 25mm in front of VP. Another point Q is 25mm behind VP and 40mm below HP. Draw their projections when the distance between their projectors parallel to the X-Y line is zero mm. Add the right side view of point Q only. [10 Marks]
- ii) The top view of a 75mm long line AB, measures 65mm while the front view is 50mm. It's one end A is in the HP and 12mm in front of the VP. Draw the projections of AB and determine its inclination with HP and the VP. [20 Marks]

OR

- Q1. A rectangular lamina of 35mm X 20mm rests on HP on one of its shorter edges. The lamina is rotated about the edge on which it rests till it appears as a square in the top view. The edge on which the lamina rests is inclined at 30° to VP. Draw its projections and find its inclination with HP. [30 Marks]
- Q2. A hexagonal pyramid 25mm sides of base and 50mm axis length rests on HP on one of its Slant edges. Draw the projections of the pyramid when the axis is inclined at 45° to VP. [40 Marks]
- Q3. Draw the development of the lateral surface of a cone whose front view is as shown in figure 1. [30 Marks]

OR

- Q3. Following figure 2 shows the front and side views of a solid. Draw the isometric Projection of the solid. [30 Marks]

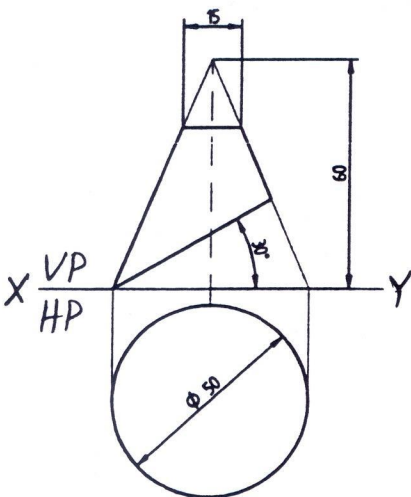


FIG. 1.

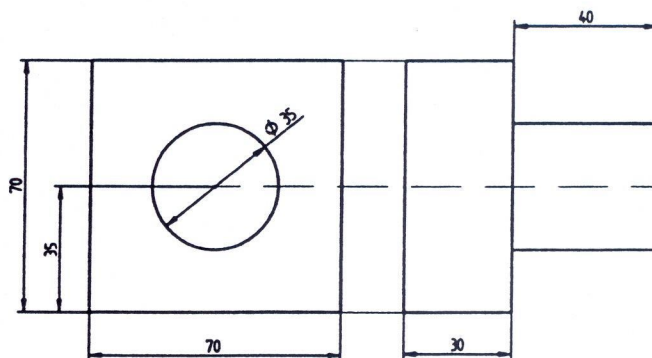


FIG. 2